

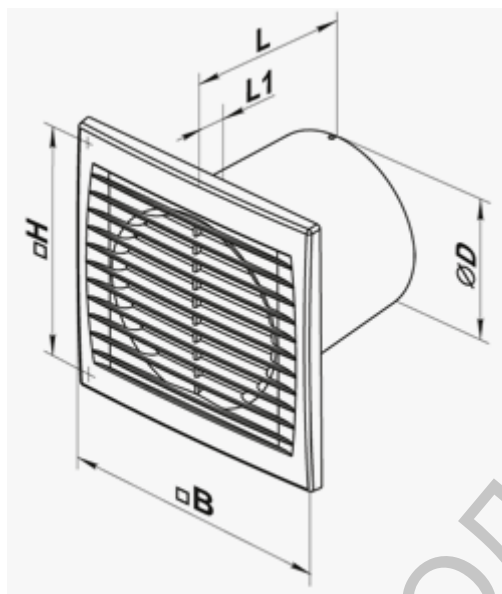
## Vents 100 S



Parameter	Value	Unit
		<b>Voltage</b>
<b>Frequency</b>	50	Hz
<b>Power</b>	14	W
	0,014	kW
<b>Extract capacity</b>	95	m <sup>3</sup> /h
	55,955	CFM
	26,41	l/s
	0,02641	m <sup>3</sup> /s
	1586,5	l/m
<b>Current</b>	0.085	A
<b>R.P.M.</b>	2300	min <sup>-1</sup>
<b>Noise level at 3 m</b>	34	dB(A)
<b>Weight</b>	0.59	kg
<b>Index of protection</b>	IP 34	class
<b>Dimension of connection pipe</b>	100	mm

-

## Vents 100 S



Sizes	ØD	B	H	L	L1
mm	100	150	120	108	12

Ташев-Галвинг ООД  
www.tashev-galving.com